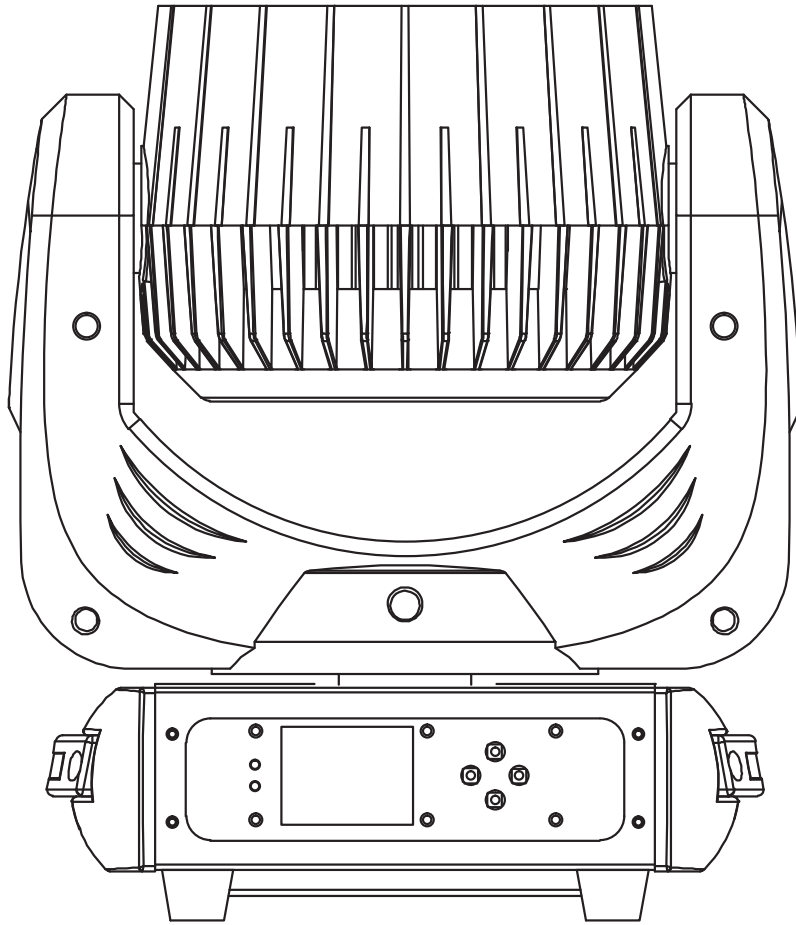


ELIMINATOR[®]

LIGHTING



STRYKER WASH

User Manual

©2023 **Eliminator Lighting** all rights reserved. Information, specifications, diagrams, images, and instructions herein are subject to change without notice. Eliminator Lighting logo and identifying product names and numbers herein are trademarks of ADJ Products, LLC. Copyright protection claimed includes all forms and matters of copyrightable materials and information now allowed by statutory or judicial law or hereinafter granted. Product names used in this document may be trademarks or registered trademarks of their respective companies and are hereby acknowledged. All non-Eliminator brands and product names are trademarks or registered trademarks of their respective companies.

Eliminator Lighting and all affiliated companies hereby disclaim any and all liabilities for property, equipment, building, and electrical damages, injuries to any persons, and direct or indirect economic loss associated with the use or reliance of any information contained within this document, and/or as a result of the improper, unsafe, insufficient and negligent assembly, installation, rigging, and operation of this product.

DOCUMENT VERSION



Due to additional product features and/or enhancements, an updated version of this document may be available online.

Please check www.adj.com for the latest revision/update of this manual before beginning installation and/or programming.

Date	Document Version	Software Version	DMX Channels	Notes
01/17/2023	1.0	1.0	13 / 23 Ch.	Initial Release
02/14/2023	1.1	N/C	No Change	Updated Control Panel, System Menu, DMX Traits, Specifications.
02/24/2023	1.2	N/C	No Change	Updated Introduction, Features, Specifications
05/11/2023	1.3	N/C	No Change	Add FCC Information
07/17/2023	1.4	N/C	No Change	Updated Dimensional Drawings, Specifications
02/14/2024	1.5	N/C	No Change	Updated Approvals

Europe Energy Saving Notice

Energy Saving Matters (EuP 2009/125/EC)

Saving electric energy is a key to help protecting the environment. Please turn off all electrical products when they are not in use. To avoid power consumption in idle mode, disconnect all electrical equipment from power when not in use. Thank you!

TABLE OF CONTENTS

Introduction	4
Limited Warranty (USA Only) Warranty Registration	5
Features	6
Safety Precautions	7
Overview	8
Installation	9
Control Panel	13
System Menu	14
DMX Set Up	17
DMX Traits	19
Primary-Secondary Set Up Power Linking	21
Maintenance Guidelines	22
Dimensional Drawings	23
Specifications	24
FCC Information	25

INTRODUCTION

Unpacking: Thank you for purchasing the Stryker Wash. Every device has been thoroughly tested and has been shipped in perfect operating condition. Carefully check the shipping carton for damage that may have occurred during shipping. If the carton appears to have been damaged, carefully inspect your fixture for any damage and be sure all accessories necessary to operate the unit have arrived intact. In the event that damage has been found or parts are missing, please contact our toll free customer support number for further instructions. Do not return this unit to your dealer without first contacting customer support.

Introduction: The Stryker Wash is a DMX-capable, LED-powered moving head fixture. It features multiple selectable DMX channel modes, pan and tilt control, RGBW color, zoom adjustment, and strobe effects.

Customer Support: Contact Eliminator Service for any product related service and support needs. Also visit forums.adj.com with questions, comments or suggestions.

Parts: To purchase parts online visit:

<http://parts.adj.com> (US)

<http://www.adjparts.eu> (EU)

ELIMINATOR SERVICE USA - Monday - Friday 8:00am to 4:30pm PST

Voice: 800-322-6337 | Fax: 323-582-2941 | support@adj.com

ELIMINATOR SERVICE EUROPE - Monday - Friday 08:30 to 17:00 CET

Voice: +31 45 546 85 60 | Fax: +31 45 546 85 96 | support@americandj.eu

ELIMINATOR LIGHTING USA

6122 S. Eastern Ave. Los Angeles, CA. 90040

323-582-2650 | Fax 323-532-2941 | www.adj.com | info@adj.com

ADJ SUPPLY Europe B.V

Junostraat 2 6468 EW Kerkrade, The Netherlands

+31 (0)45 546 85 00 | Fax +31 45 546 85 99

www.americandj.eu | info@americandj.eu

ADJ PRODUCTS GROUP Mexico

AV Santa Ana 30 Parque Industrial Lerma, Lerma, Mexico 52000

+52 (728) 282-7070

CAUTION! This device is intended for indoor use only! Do not expose to rain or moisture!

CAUTION! There are no user serviceable parts inside this unit. Do not attempt any repairs yourself, as doing so will void your manufacturer's warranty. In the unlikely event your unit may require service, please contact Eliminator Lighting.

Do not discard the shipping carton in the trash. Please recycle when ever possible.

LIMITED WARRANTY (USA ONLY)

1 Year Limited Warranty: The Eliminator Lighting warranty is valid for 1 year from the date of purchase. Our 1 year limited warranty covers manufacturing defects only. The serial number of your device and the place of purchase with dated valid receipt must be submitted at time of service. The Eliminator Lighting warranty does not cover items or parts prone to wear and tear: lamps, fuses, brushes and belts. Eliminator Lighting warranty is only valid within the United States.

To register your Eliminator Lighting product online, please click here to the ADJ Warranty Registration Page:
<https://www.adj.com/portal/user/register/>

WARRANTY REGISTRATION

Please fill out the enclosed warranty card to validate your purchase. All returned service items, whether under warranty or not, must be freight pre-paid and accompanied by a return authorization (R.A.) number. The R.A. number must be clearly written on the outside of the return package. A brief description of the problem as well as the R.A. number must also be written down on a piece of paper included in the shipping carton. If the unit is under warranty, you must provide a copy of your proof of purchase invoice. You may obtain an R.A. number by contacting our customer support team. All packages returned to the service department not displaying an R.A. number on the outside of the package will be returned to the shipper.

FEATURES

- 19 x 12W high power RGBW 4-in-1 LED
- Fast, precise pan & tilt movements
- Three zone DMX control mode
- Primary / Secondary stand alone mode
- Motorized zoom: 6 ~ 50°
- Linear CT DMX control channel: 3200K - 10000K
- Up to 18 strobe flashes per second

INCLUDED ITEMS

- Power Cable (x1)
- Omega Bracket (x1)

SAFETY PRECAUTIONS



PROTECTION CLASS 1 - FIXTURE MUST BE PROPERLY GROUNDED.



THERE ARE NO USER SERVICEABLE PARTS INSIDE THIS UNIT. DO NOT ATTEMPT ANY REPAIRS YOURSELF, AS DOING SO WILL VOID YOUR MANUFACTURER'S WARRANTY. DAMAGES RESULTING FROM MODIFICATIONS TO THIS FIXTURE AND/OR THE DISREGARD OF SAFETY INSTRUCTIONS AND GUIDELINES IN THIS MANUAL VOID THE MANUFACTURER'S WARRANTY AND ARE NOT SUBJECT TO ANY WARRANTY CLAIMS AND/OR REPAIRS.



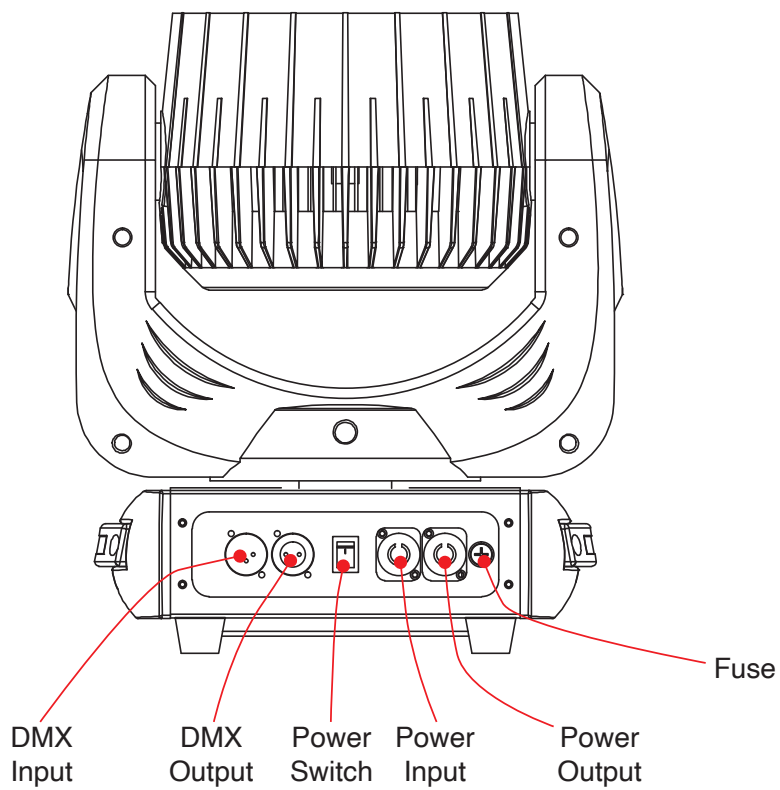
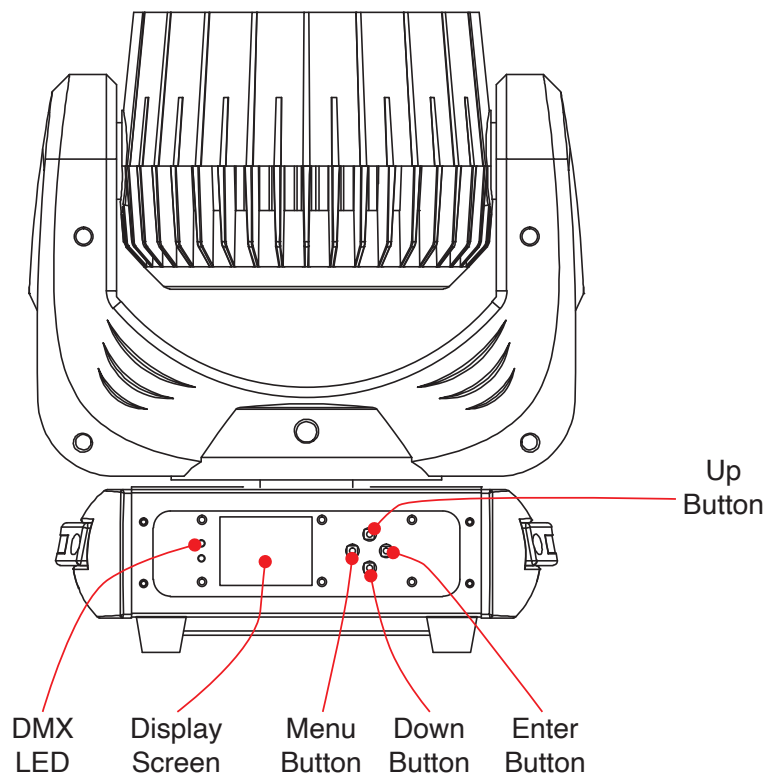
INDOOR USE ONLY! DO NOT EXPOSE TO RAIN OR MOISTURE!



**NEVER LOOK DIRECTLY INTO THE LIGHT SOURCE!
RETINA INJURY RISK - MAY INDUCE BLINDNESS!
SENSITIVE PERSONS MAY SUFFER AN EPILEPTIC SHOCK!**

- ***Ambient operating temperature range is 5° F to 104° F (-15° C to 40° C)!***
- DO NOT TOUCH the fixture housing during operation. Disconnect the power and allow approximately 15 minutes for the fixture to cool down before servicing.
- DO NOT shake the fixture, and avoid brute force when installing and/or operating the fixture.
- DO NOT operate the fixture if the power cord has become frayed, crimped and/or damaged. If the power cord is damaged, replace immediately with a new one of the same power rating.
- DO NOT attempt to remove or break off the ground prong from the electrical cord. This prong is used to reduce the risk of electrical shock and fire in the event of an internal short.
- DO NOT attempt to operate this unit if it has been damaged in any way.
- DO NOT spill water or other liquids into or on to your unit.
- Disconnect from main power before making any type of connection.
- DO NOT block any air ventilation slots. All fan and air inlets must remain clean and never blocked. Allow approx. 20" (50cm) between fixture and other devices or a wall for proper cooling.
- Always be sure to mount this unit in an area that will allow proper ventilation. Allow about 20" (50cm) between this device and a wall.
- DO NOT remove the cover for any reason.
- When installing fixture in a suspended environment, always use mounting hardware that is no less than M10 x 25mm, and always install fixture with an appropriately rated safety cable.
- Never plug this unit in to a dimmer pack.
- During long periods of non-use, disconnect the unit's main power.
- Always mount this unit in safe and stable matter.
- Power-supply cords should be routed so that they are not likely to be walked on or pinched by items placed upon or against them, paying particular attention to the point where they exit from the unit.
- Cleaning - The fixture should be cleaned only as recommended by the manufacturer.
- Heat - The appliance should be situated away from heat sources such as radiators, heat registers, stoves, or other appliances (including amplifiers) that produce heat.
- The fixture should be serviced by qualified service personnel when:
 - A. The power-supply cord or the plug have been damaged.
 - B. Objects have fallen onto, or liquid has been spilled into, the fixture.
 - C. The fixture does not appear to operate normally or exhibits a marked change in performance.
 - D. The fixture has fallen and/or has been subjected to extreme handling.

OVERVIEW



INSTALLATION



DO NOT INSTALL THE FIXTURE IF YOU ARE NOT QUALIFIED TO DO SO!

Fixture **MUST** be installed following all local, national, and country commercial electrical and construction codes and regulations.

When installing the unit, the trussing or area of installation must be able to hold at least 10 times the weight of the unit and any attached accessories without any deformation. The unit must be secured with a secondary safety attachment, e.g. an appropriately-rated safety cable.

Before rigging/mounting a single fixture to any metal truss/structure or placing the fixture(s) on any surface, a professional equipment installer **MUST** be consulted to determine if the metal truss/structure or surface is properly certified to safely hold the combined weight of the fixture(s), clamps, cables, and accessories.

Ambient operating temperature range is **5°F to 104°F (-15°C to 40°C)**.

Fixture(s) should be installed away from walking paths, seating areas, or areas where unauthorized personnel might reach the fixture by hand.

NEVER stand directly below the fixture(s) when rigging, removing, or servicing.

Overhead fixture installation must always be secured with a secondary safety attachment, such as an appropriately rated safety cable that can hold at least 10 times the weight of the fixture.

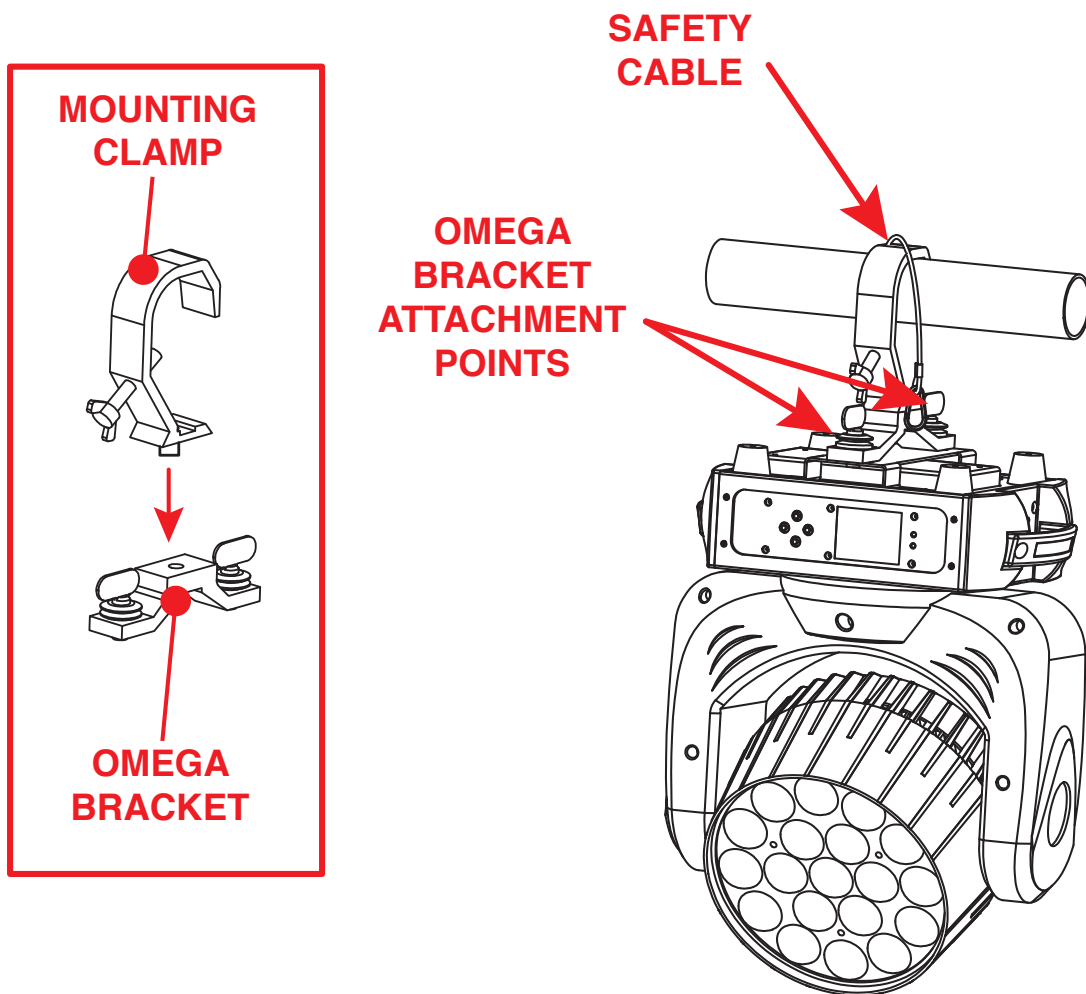
Overhead mounting requires extensive experience, including calculating working load limits, knowledge of installation material being used, and periodic safety inspection of all installation material as well as the unit itself. If you lack these qualifications, do not attempt the installation yourself.

The installation should be checked by a skilled person once a year.

INSTALLATION

CLAMP MOUNTING

Use an appropriately rated nut and bolt to attach the mounting clamp (not included) to the Omega bracket. This fixture features attachment points for an Omega on the bottom surface of the unit. Insert the Omega bracket into these mounting points, then turn the quick-lock fasteners to secure the Omega bracket to the fixture. Additionally, a **SAFETY CABLE** of the appropriate weight rating should be looped under the fixture's Omega bracket attachment plate, then over the truss. Refer to the illustration below:



SAFETY CABLE:
ALWAYS ATTACH A SAFETY CABLE WHENEVER INSTALLING THIS FIXTURE IN A SUSPENDED ENVIRONMENT TO ENSURE THAT THE FIXTURE WILL NOT FALL IF THE CLAMP FAILS.

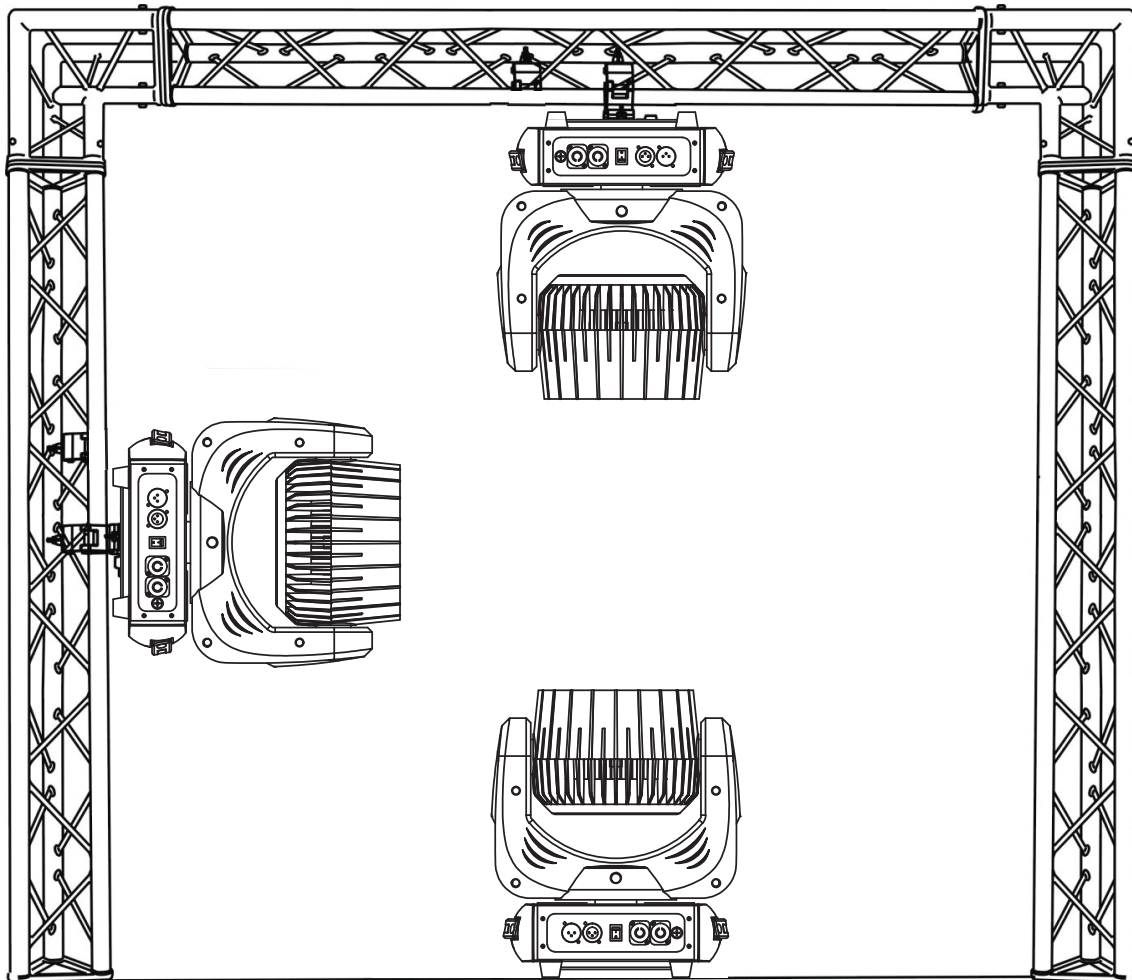
NOTICE: Ambient operational temperature range for this lighting fixture is **5° F to 104° F (-15° C to 40° C)**. Do not place this lighting fixture in an environment where the temperatures fall outside this range. This will allow the fixture to run at its best and help prolong the fixture life.

INSTALLATION

RIGGING ORIENTATIONS

Overhead rigging requires extensive experience, including calculating working load limits, installation material being used, and periodic safety inspection of all installation material and the fixture, among other skills. If you lack these qualifications, do not attempt the installation yourself. Improper installation can result in bodily injury.

The fixture is fully operational in the following positions: hanging from a horizontal truss, suspended sideways from a vertical truss, or standing upright on a flat, level surface. See the illustration below for reference.



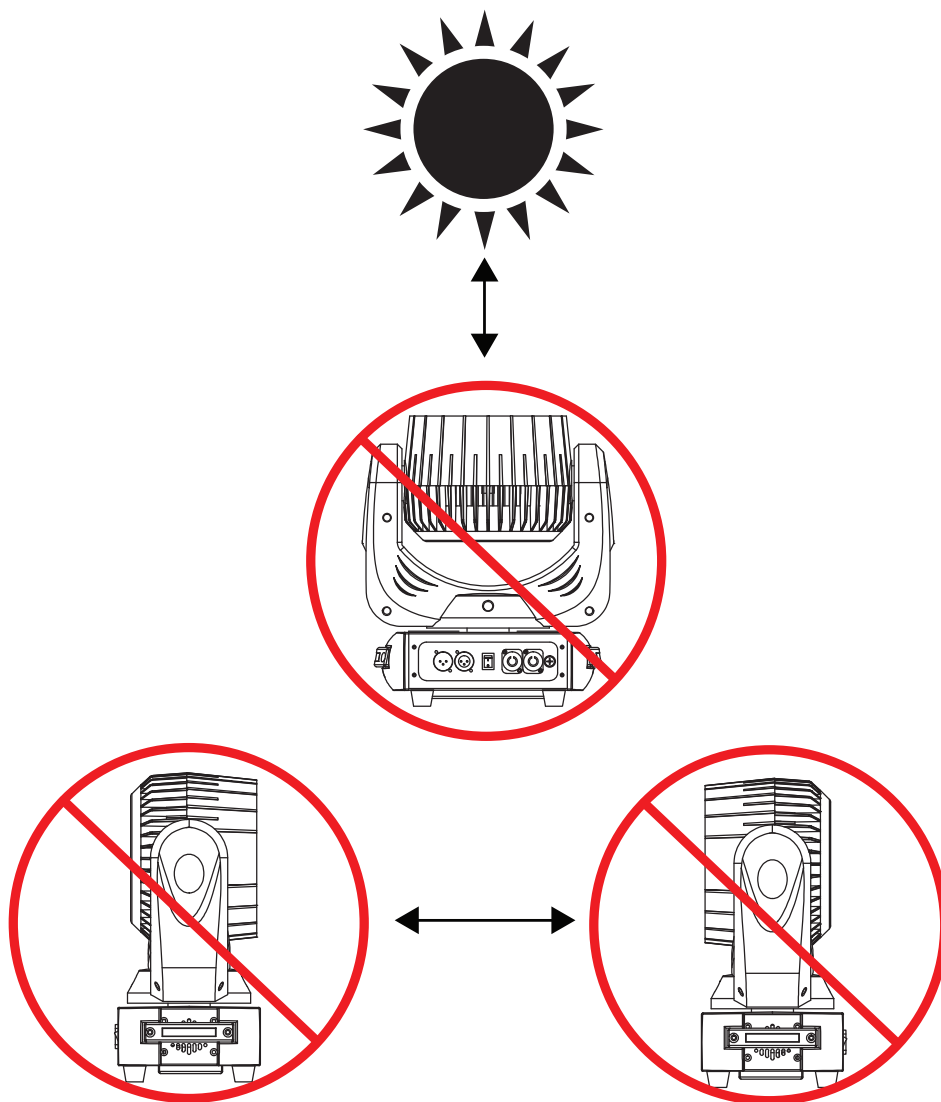
INSTALLATION

POTENTIAL INTERNAL FIXTURE DAMAGE FROM EXTERNAL SOURCES OF LIGHT BEAMS

External sources of light beams from direct sunlight, lighting and moving head fixtures, and lasers, which are focused directly towards the exterior housing and/or penetrate the front lens opening of Eliminator lighting fixtures, can cause severe internal damage including burning of optics, dichroic color filters, glass and metal gobos, prisms, animation wheels, frost filters, iris, shutters, motors, belts, wiring, discharge lamps, and LEDs.

This issue is not specific only to Eliminator lighting fixtures, but rather it is a common issue with lighting fixtures from all manufacturers. Although there is no true way to fully prevent this issue from happening, the guidelines below can reduce the risk of potential damage. Contact Eliminator Service for more details.

DO NOT EXPOSE THE FIXTURE AND/OR FRONT LENS OPENING TO LIGHT BEAMS FROM DIRECT SUNLIGHT, OTHER LIGHTING OR MOVING HEAD FIXTURES, AND LASERS DURING UNPACKING, INSTALLATION, USE, AND EXTENDED IDLE TIMES OUTDOORS. DO NOT FOCUS A LIGHT BEAM FROM ONE LIGHTING FIXTURE DIRECTLY TOWARDS ANOTHER.

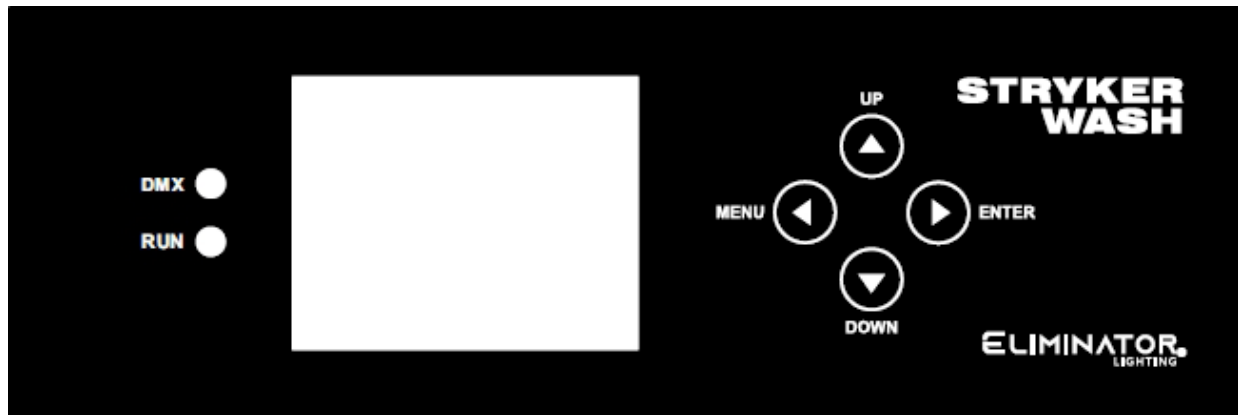


CONTROL PANEL

The Stryker Wash features a display screen with a 4-button control pad, which can be used to easily adjust any device settings.

Pressing the UP and DOWN buttons to scroll through options on the screen. Press ENTER to select the option currently highlighted on the screen, and enter into the Sub-Menu to adjust that setting, if applicable. Press MENU to exit without making changes.

The panel also includes an LED which illuminates to indicate that the fixture is in DMX mode.



SYSTEM MENU

DMX SETTINGS	Address	001 - 512		Set DMX starting address	
	Mode	13 Ch		Select DMX channel mode	
		23 Ch			
	No DMX	Hold		Fixture holds last setup if DMX signal is lost	
Auto		Fixture defaults to selected Auto mode if DMX signal is lost			
Sound		Fixture defaults to sound mode if DMX signal is lost			
PERSONALITY	Pan Invert	Yes / No		Invert pan motion	
	Tilt Invert	Yes / No		Invert tilt motion	
	P/T Correction	On / Off		Returns pan/tilt to intended position if head is manually knocked out of position	
	Display Reverse	Yes / No		Flip display orientation	
	Display Intensity	001 - 010		Adjust display brightness	
	Sound Sensitivity	000 - 100	Default = 080	Adjust sensitivity to sound in sound mode	
	Reset	Yes / No		Cycles fixture power off then on, and retains current settings	
	Factory Restore	Yes / No		Restore fixture to factory default settings	
	Home Position Password = 018	Pan	000 - 255		Set default (“home”) value for each parameter
		Tilt	000 - 255		
Red		000 - 255			
Green		000 - 255			
Blue		000 - 255			
White		000 - 255			
	Zoom	000 - 255			
CONTINUED ON NEXT PAGE					

SYSTEM MENU

RUN MODE	Auto	Auto Mode 1	Set fixture to run the selected auto mode program
		Auto Mode 2	
		Auto Mode 3	
		Auto Mode 4	
		Auto Mode 5	
		Auto Mode 6	
		Auto Mode 7	
		Auto Mode 8	
	Sound		Set fixture to sound mode
	Primary Auto	Auto Mode 1	Set fixture as a primary unit that runs the selected auto mode program
		Auto Mode 2	
		Auto Mode 3	
Auto Mode 4			
Auto Mode 5			
Auto Mode 6			
Auto Mode 7			
Primary Sound		Set fixture as a primary unit that runs in sound mode	
Secondary		Set fixture as a secondary unit	
MANUAL MODE	Pan	000 - 255	Manually adjust and set the value of each parameter
	Tilt	000 - 255	
	Zoom	000 - 255	
	Red	000 - 255	
	Green	000 - 255	
	Blue	000 - 255	
	White	000 - 255	
	Linear Color Temp	000 - 255	
	Ring Macros	000 - 255	
	Strobe	000 - 255	
	Dimmer	000 - 255	
	Pan/Tilt Speed	000 - 255	
Special	000 - 255		

CONTINUED ON NEXT PAGE

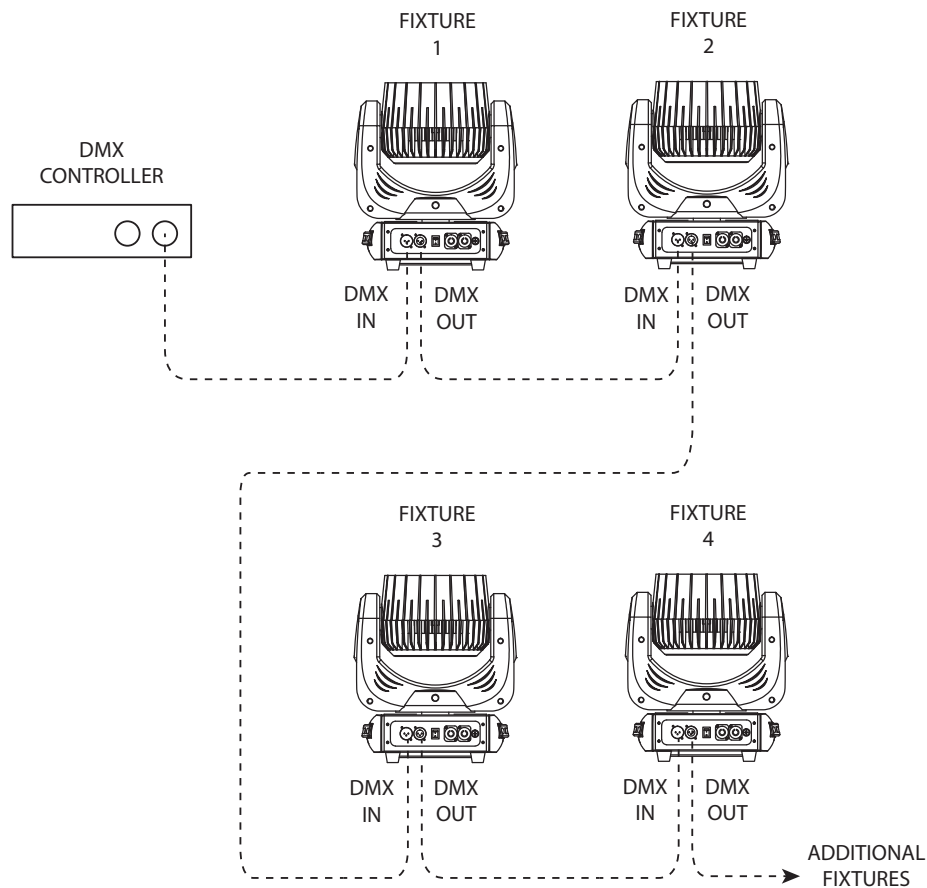
SYSTEM MENU

SYS INFO	On Time	xxH xxM	H = hours, M = mins	Time on since last power cycle
	Total Time	xxxxxH xxM	H = hours, M = mins	Total lifetime hours
	Version	Vx.xxx		Current software version
	Running Mode	DMX xx Ch		Displays selected DMX channel mode
	Address	xxx		Displays current DMX address
	Temperature	xxx °F		Displays current fixture operating temperature

DMX SET UP

DMX-512: DMX is short for Digital Multiplex. This is a universal protocol used as a form of communication between intelligent fixtures and controllers. A DMX controller sends DMX data instructions from the controller to the fixture. DMX data is sent as serial data that travels from fixture to fixture via the DATA “IN” and DATA “OUT” XLR terminals located on all DMX fixtures (most controllers only have a DATA “OUT” terminal).

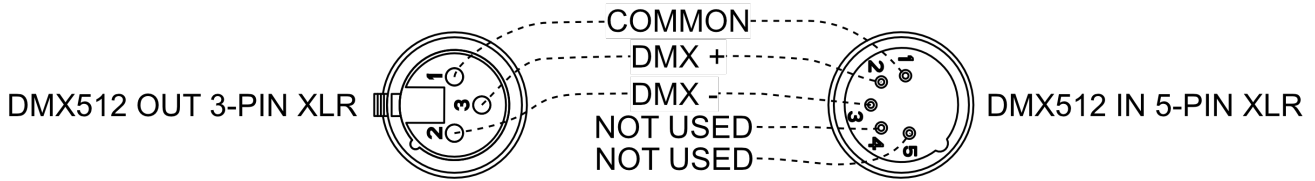
DMX Linking: DMX is a language allowing all makes and models of different manufacturers to be linked together and operate from a single controller, as long as all fixtures and the controller are DMX compliant. To ensure proper DMX data transmission, try to use the shortest cable path possible when linking several DMX fixtures. The order in which fixtures are connected in a DMX line does not influence the DMX addressing. For example, a fixture assigned a DMX address of 1 may be placed anywhere in a DMX line: at the beginning, at the end, or anywhere in the middle. When a fixture is assigned a DMX address of 1, the DMX controller knows to send DATA assigned to address 1 to that unit, no matter where it is located in the DMX chain.



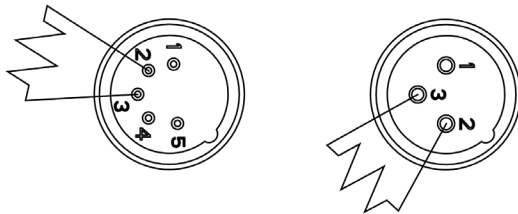
Data Cable (DMX Cable) Requirements (For DMX Operation): This unit can be controlled via DMX-512 protocol. The DMX address is set on the rear panel of the unit. Your unit and your DMX controller require a standard 3-pin XLR connectors for data input and data output. We recommend Accu-Cable DMX cables. If you are making your own cables, be sure to use standard 110-120 Ohm shielded cable (This cable may be purchased at almost all pro lighting stores). Your cables should be made with a male XLR connector at one end and a female XLR connector at the other. Also remember that DMX cable must be daisy chained and cannot be split.

DMX SET UP

Notice: Be sure to follow the illustration below when making your own cables. Do not use the ground lug on the XLR connector. Do not connect the cable's shield conductor to the ground lug or allow the shield conductor to come in contact with the XLR's outer casing. Grounding the shield could cause a short circuit and erratic behavior.



Special Note: Line Termination. When longer runs of cable are used, you may need to use a terminator on the last unit to avoid erratic behavior. A terminator is a 110-120 ohm 1/4 watt resistor which is connected between pins 2 and 3 of a male XLR connector (DATA + and DATA -). This unit is inserted in the female XLR connector of the last unit in your daisy chain to terminate the line. Using a cable terminator (ADJ part number Z-DMX/T) will reduce the risk of erratic behavior.



A DMX512 terminator reduces signal errors, avoiding most signal reflection interference. Connect PIN 2 (DMX-) and PIN 3 (DMX+) of the last fixture in series with a 120 Ohm, 1/4 W Resistor to terminate the DMX512.

DMX ADDRESSING.

All fixtures should be given a DMX starting address when using a DMX controller, so the correct fixture responds to the correct control signal. This digital starting address is the channel number from which the fixture starts to “listen” to the digital control signal sent out from the DMX controller. The assignment of this starting DMX address is achieved by setting the correct DMX address on the digital control display on the fixture.

You can set the same starting address for all fixtures or a group of fixtures, or set different addresses for each individual fixture. Setting all fixtures to the same DMX address will cause all fixtures to react in the same way. In other words, changing the settings of one channel will affect all the fixtures simultaneously.

If you set each fixture to a different DMX address, each unit will start to “listen” to the channel number you have set, based on the quantity of DMX channels of each fixture. That means changing the settings of one channel will only affect the selected fixture.

For example, when operating this unit in 13-channel mode, you should set the starting DMX address of the first unit to 1, the second unit to 14 (1 + 13), the third unit to 27 (1 + 13 + 13), and so on. See the chart below for more details.

CHANNEL MODE	UNIT 1 ADDRESS	UNIT 2 ADDRESS	UNIT 3 ADDRESS	UNIT 4 ADDRESS
13 Ch	1	14	27	40
23 Ch	1	24	47	70

DMX TRAITS

CHANNEL		DMX VALUES	FUNCTION
13Ch	23Ch		
1	1	000 - 255	Pan , 0 to 540
	2	000 - 255	Pan Fine
2	3	000 - 255	Tilt , 0 to 210
	4	000 - 255	Tilt Fine
3		000 - 255	All Red , 0% to 100%
4		000 - 255	All Green , 0% to 100%
5		000 - 255	All Blue , 0% to 100%
6		000 - 255	All White , 0% to 100%
	5	000 - 255	Red 1 , 0% to 100%
	6	000 - 255	Green 1 , 0% to 100%
	7	000 - 255	Blue 1 , 0% to 100%
	8	000 - 255	White 1 , 0% to 100%
	9	000 - 255	Red 2 , 0% to 100%
	10	000 - 255	Green 2 , 0% to 100%
	11	000 - 255	Blue 2 , 0% to 100%
	12	000 - 255	White 2 , 0% to 100%
	13	000 - 255	Red 3 , 0% to 100%
	14	000 - 255	Green 3 , 0% to 100%
	15	000 - 255	Blue 3 , 0% to 100%
	16	000 - 255	White 3 , 0% to 100%
7	17		Linear CT
		000 - 009	No function
		010 - 255	Linear 3200K to 10000K
8	18		Ring Macros
		000 - 007	No function
		008 - 012	Static 1
		013 - 017	Static 2
		018 - 022	Static 3
		023 - 027	Static 4
		028 - 032	Static 5
		033 - 037	Static 6
		038 - 042	Static 7
		043 - 047	Static 8
		048 - 052	Static 9
		053 - 057	Static 10
		058 - 062	Static 11
063 - 067	Static 12		

CONTINUED ON NEXT PAGE

DMX TRAITS

CHANNELS		DMX VALUES	FUNCTION
13Ch	23Ch		
8	18		<i>Ring Macros (continued)</i>
		068 - 072	Static 13
		073 - 077	Static 14
		078 - 082	Static 15
		083 - 087	Static 16
		088 - 092	Static 17
		093 - 097	Static 18
		098 - 102	Static 19
		103 - 107	Static 20
		108 - 112	Static 21
		113 - 117	Static 22
		118 - 122	Static 23
		123 - 181	Color Jump, slow to fast
		182 - 240	Color Fade, slow to fast
241 - 255	Sound Auto Play		
9	19		<i>Shutter</i>
		000 - 009	Shutter Closed
		010 - 250	Strobe Effect, slow to fast
		251 - 255	Shutter Open
10	20	000 - 255	<i>Dimmer</i> , 0% to 100%
11	21	000 - 255	<i>Zoom</i> , minimum to maximum
12	22	000 - 255	<i>Pan/Tilt Speed</i> , fast to slow
13	23		<i>Special Functions</i>
		000 - 010	No Function
		011 - 020	XY Auto Run 1
		021 - 030	XY Auto Run 2
		031 - 040	XY Auto Run 3
		041 - 050	XY Auto Run 4
		051 - 060	XY Auto Run 5
		061 - 070	XY Auto Run 6
		071 - 080	XY Auto Run 7
		081 - 090	XY Auto Run 8
		091 - 230	Sound XY Auto Run
		231 - 240	Reset after 3 seconds
		241 - 255	No function

PRIMARY-SECONDARY SET UP

This function allows you to link units together to run in a Primary-Secondary set-up, in which one unit will act as the controlling unit and the others will react to the controlling unit's built-in programs. Any unit can be configured to act as a Primary or as a Secondary, but only one unit in a given system can be programmed to act as the Primary.

Primary-Secondary Connections and Settings:

1. Daisy chain your units via the XLR connectors on the rear panels of each unit. Use standard XLR data cables to link your units together. Remember that the male XLR connector is the input and the female XLR connector is the output. The first unit in the chain (primary) will use the female XLR connector only. The last unit in the chain will use the male XLR connector only.
2. Use the display screen and control panel to navigate to the Run Mode, and press ENTER.
3. Among other options, the fixture can be set to Primary Auto, Primary Sound, or Secondary. Set the unit you would like to act as a primary to either "Primary Auto" (to run an internal program on the primary unit) or "Primary Sound" (to run the primary fixture in sound active mode).
4. If you selected "Primary Auto", you will also need to use the UP and DOWN buttons to select one of 8 available programs to run, then press ENTER to confirm.
5. Set each Secondary unit to the "Secondary" setting in the Run Mode menu, then press ENTER. Make sure that only one unit is designated as the Primary, while all other units are designated as Secondaries.
6. The secondary units will act in conjunction with the primary unit.

POWER LINKING

This feature allows multiple units to be linked together by way of the power input and output sockets. To do so, make sure the fixtures are all switched off, then connect the "Power In" socket of the first unit to the power source. Next, connect the "Power Out" socket of the first unit to the "Power In" socket of the second unit. Continue in this manner until the "Power Out" socket of each fixture is connected to the "Power In" socket of the next fixture in line (except for the "Power Out" socket of the last unit, which will remain unused). Once the units have been switched on, they should all be able to receive power via these connections.

The maximum number of devices that can be connected in this manner is as follows:

- **2 units @120v**
- **3 units @230v**

After this quantity has been reached, a new power outlet must be used to accommodate additional devices.

Linked devices must be of the same make and model type. DO NOT mix devices!

MAINTENANCE GUIDELINES



DISCONNECT POWER BEFORE PERFORMING ANY MAINTENANCE!

CLEANING

Frequent cleaning is recommended to ensure proper function, optimized light output, and an extended life. The frequency of cleaning depends on the environment in which the fixture operates: damp, smoky, or particularly dirty environments can cause greater accumulation of dirt on the fixture's optics. Clean the external lens surface regularly with a soft cloth to avoid dirt/debris accumulation.

NEVER use alcohol, solvents, or ammonia-based cleaners.

MAINTENANCE

Regular inspections are recommended to ensure proper function and extended life. There are no user serviceable parts inside this fixture. Please refer all other service issues to an authorized Eliminator service technician. Should you need any spare parts, please order genuine parts from your local Eliminator dealer.

Please refer to the following points during routine inspections:

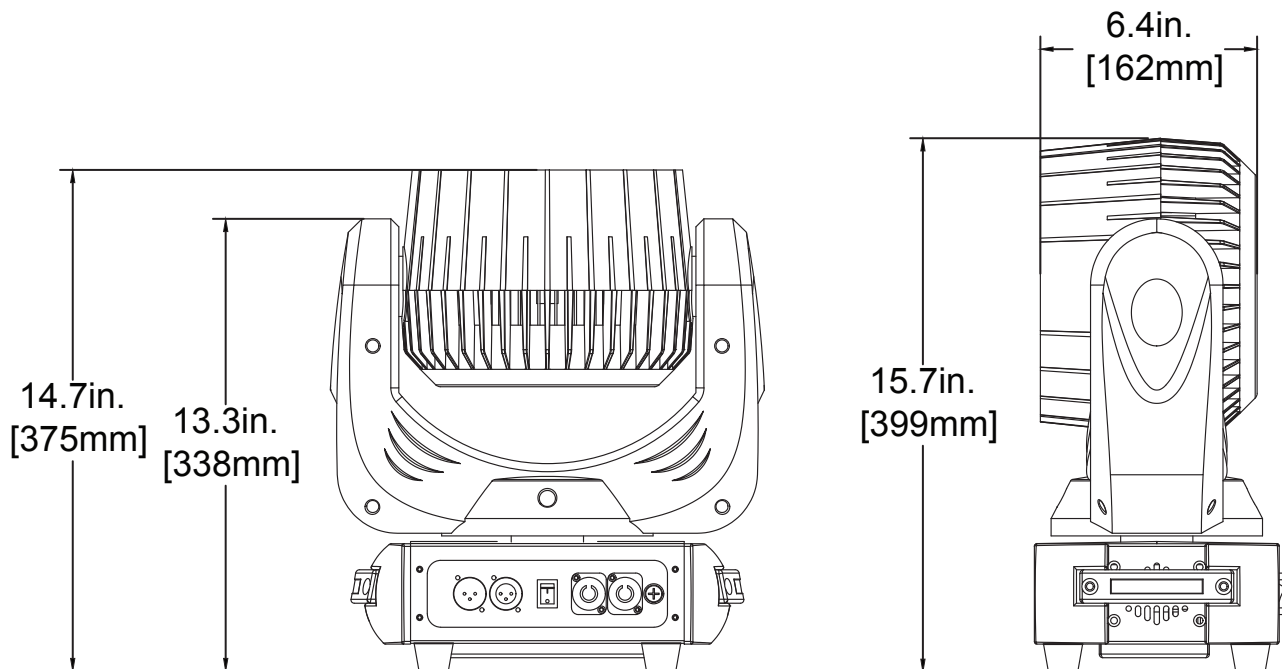
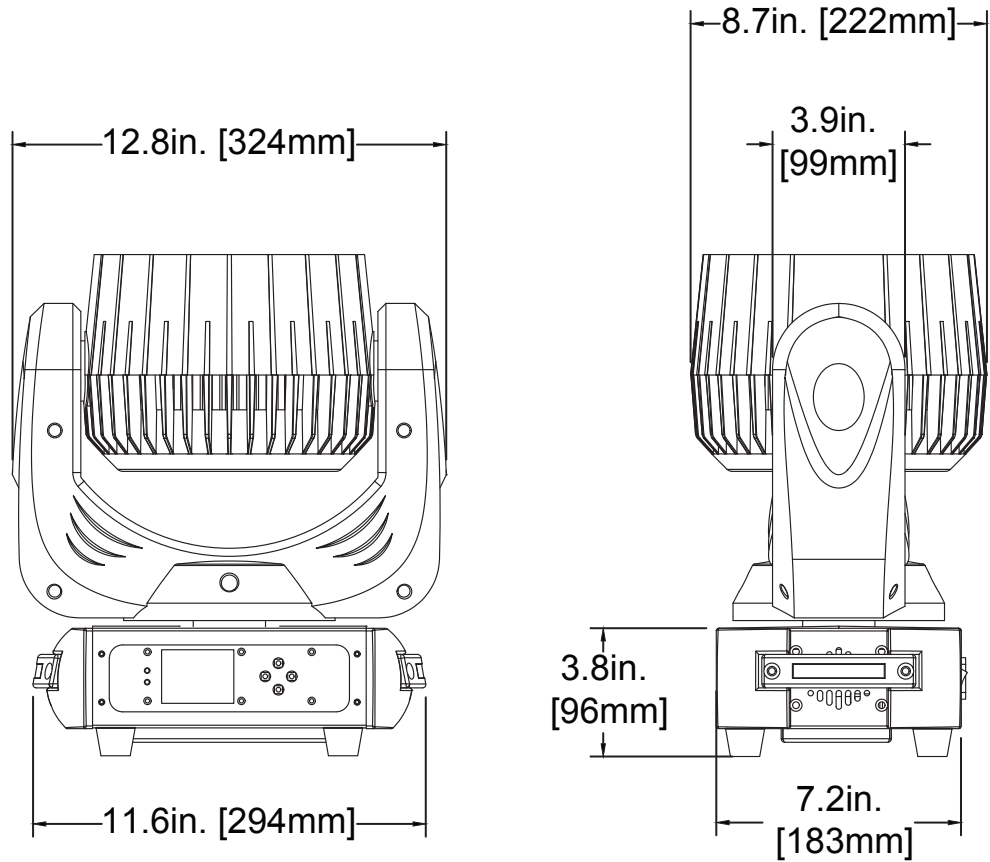
- A. A detailed electrical check by an approved electrical engineer every three months, to make sure the circuit contacts are in good condition and prevent overheating.
- B. Be sure all screws and fasteners are securely tightened at all times. Loose screws may fall out during normal operation, resulting in damage or injury as larger parts could fall.
- C. Check for any deformations on the housing, color lenses, rigging hardware, and rigging points (ceiling, suspension, trussing). Deformations in the housing could allow for dust to enter into the fixture. Damaged rigging points or unsecured rigging could cause the fixture to fall and seriously injure a person(s).
- D. Electric power supply cables must not show any damage, material fatigue, or sediments.

NEVER remove the ground prong from the power cable.

SOFTWARE UPDATES

Please contact Eliminator service for assistance with updating your device's software.

DIMENSIONAL DRAWINGS



Drawings not shown to scale.

SPECIFICATIONS

Light Source:

- 19x 12W RGBW (4-IN-1) LEDs
- 50,000 Hours Life

Features:

- Fast, precise, pan & tilt movements
- Three zone DMX control mode
- Primary / Secondary stand alone mode
- Motorized Zoom: 6 ~ 50°
- Linear CT DMX control channel: 3200K-10000K
- Up to 18 Strobe flashes per second

Connections:

- DMX Data In/Out: 3-pin XLR
- Power In: Blue Locking indoor power connection
- Power Out: White Locking indoor power connection

Control:

- Color LCD display with touch buttons
- 2 DMX channel modes: 13 & 23 channels
- Protocols: DMX-512, Auto and Sound control modes
- With Wired Digital Communication Network

Pan/Tilt:

- Pan/Tilt: 540-degrees / 210-degrees
- 16-bit Fine Pan
- 16-bit Fine Tilt

Electrical:

- Multi-voltage operation: 100-240V, 50/60Hz
- Maximum power draw: 300W

Dimensions & Weight:

- Dimensions (LxWxH): 8.7" x 12.8" x 15.7" / 222mm x 324mm x 399mm
- Weight: 18.1 lbs. / 8.2 kg.

Technical:

- Operating environment: Indoor 5°~104°F (-15°-40°C)
- Fan Cooled
- Housing: Black Composite Plastic

Road Cases (Sold Separately):

- • Two (2) Stryker Wash fit inside the ADJ DRC MH road case
- • Four (4) Stryker Wash fit inside the ADJ QRC HM road case

Approval / IP Rating

- • cETL Approved (Control # 5027824)
- • FCC Compliant
- • CE Compliant
- • UKCA Compliant
- • IP20

Please Note: Specifications and improvements in the design of this unit and this manual are subject to change without any prior written notice.

FCC INFORMATION

FCC STATEMENT

This device complies with Part 15 of the FCC Rules. Operation is subject to the following two conditions: (1) this device may not cause harmful interference, and (2) this device must accept any interference received, including interference that may cause undesired operation.

FCC RADIO FREQUENCY INTERFERENCE WARNINGS & INSTRUCTIONS

Please note that changes or modifications of this product is not expressly approved by the party responsible for compliance could void the user's authority to operate the equipment. This product has been tested and found to comply with the limits as per Part 15 of the FCC Rules. These limits are designed to provide reasonable protection against harmful interference in a residential installation. This device uses and can radiate radio frequency energy and, if not installed and used in accordance with the included instructions, may cause harmful interference to radio communications. However, there is no guarantee that interference will not occur in a particular installation. If this device does cause harmful interference to radio or television reception, which can be determined by turning the device off and on, the user is encouraged to try to correct the interference by one or more of the following methods:

- Reorient or relocate the device.
- Increase the separation between the device and the receiver.
- Connect the device to an electrical outlet on a circuit different from which the radio receiver is connected.
- Consult the dealer or an experienced radio/TV technician for help.

Energy Saving Matters (EuP 2009/125/EC)

Saving electric energy is a key to help protecting the environment. Please turn off all electrical products when they are not in use. To avoid power consumption in idle mode, disconnect all electrical equipment from power when not in use. Thank you!



This page intentionally left blank.

